

Diameter Measurement Gage

On-Machine Accuracy and Repeatability

Do you need to check the size of your turned parts while still on the lathe, grinder or other machine center? ABTech's precision diameter measurement gages are designed for measuring large diameter parts with better than .001" system accuracy.

DMG360 gages include a precision ground hardened steel wheel that rides on an uninterrupted OD surface of your part. Adjusters built into the wheel body allow you to easily align the wheel to the part.

Using your machine center to rotate the part the gage calculates the diameter from an average of four full rotations. A proximity sensor and trigger are used to precisely count off each revolution.

With optional handheld IR thermal sensors you can enter the part and room temperatures and use the systems compensation factor.



**Model DMG360
Diameter Measurement Gage**

Features:

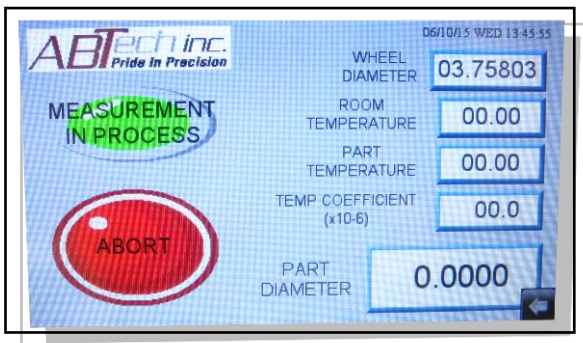
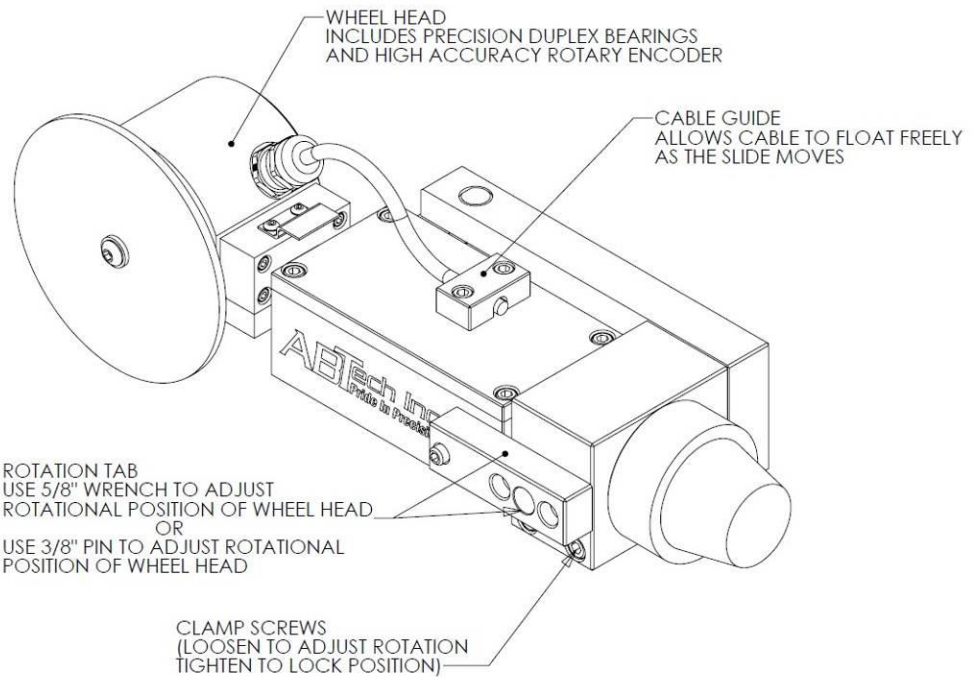
- Accuracy: .001" (25.4 μm)
- Repeatability: .0005 (12.7 μm)
- Max machine speed (to maintain accuracy): 60 surface ft/min
- 3.750" precision ground hardened 440C stainless steel wheel
- Visible reference guide for setting proper wheel pressure
- Proximity sensor to trigger measurements
- LED indicators in sensor to assist with trigger alignment
- Compact digital display unit with handle for portability
 - Touch pad operator interface
 - Programmed with ABTech measurement software
 - Temperature input for compensation
- Available in various receiver mount options with alignment adjusters
 - Fits Aloris, C5 Capto or other custom tool holders
- Portable for use on multiple machines
- Protective storage/carrying case with custom foam inserts
- Made in the USA

Phone: 1-603-358-6431
Fax: 1-603-358-0196
info@abtechmfg.com
www.abtechmfg.com

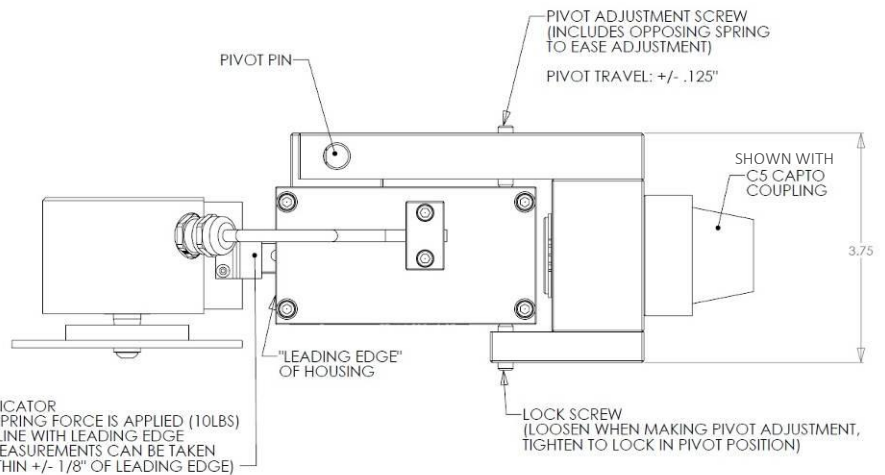
ABTech, Inc.
P.O. Box 10296
126 Monadnock Highway
Swansey, NH 03446



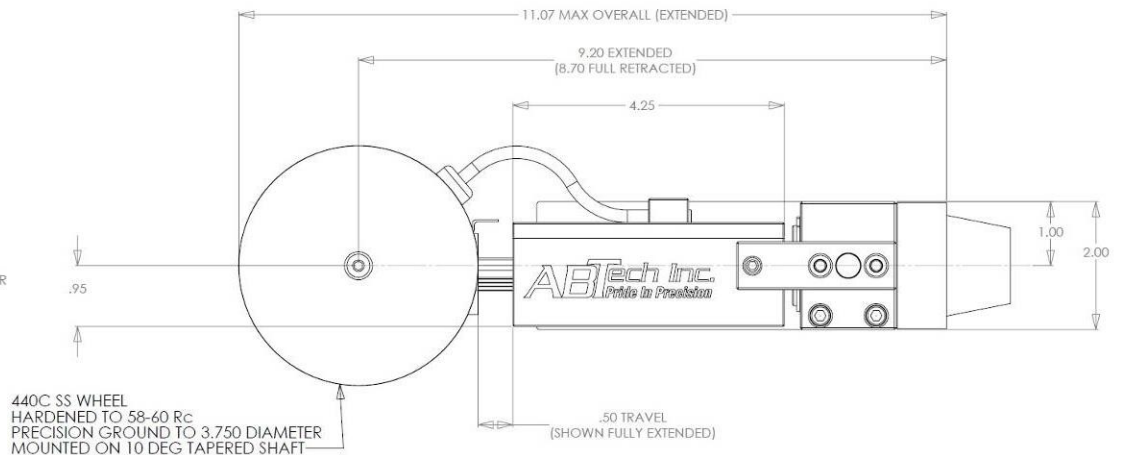
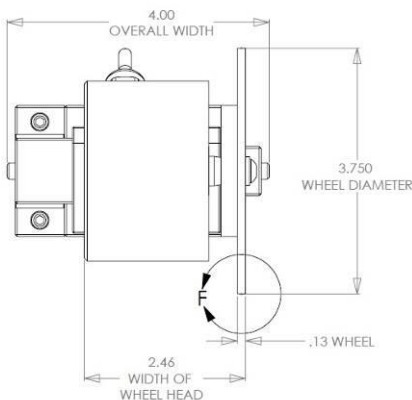
Model DMG360 Diameter Measurement Gauge



DMG360 Touchscreen Interface



MID-TRAVEL INDICATOR
(THE CORRECT SPRING FORCE IS APPLIED (10LBS)
WHEN TAB IS IN LINE WITH LEADING EDGE
OF HOUSING. MEASUREMENTS CAN BE TAKEN
WHEN TAB IS WITHIN +/- 1/8" OF LEADING EDGE)



Phone: 1-603-358-6431
Fax: 1-603-358-0196
info@abtechmfg.com
www.abtechmfg.com

ABTech, Inc.
P.O. Box 10296
126 Monadnock Highway
Swansey, NH 03446

ABTech inc.
Pride In Precision